**POLE SHAFT:**

Fabricated from hot rolled welded steel tubing with minimum yield strength of 42,000 PSI.

ANCHOR BASE:

Structural quality ASTM A-36. The base is provided with bolt slots to accommodate a 7" – 9" bolt circle.

ANCHOR BOLTS:

Carbon steel conforming to AASHTO M314 grade-55 or ASTM F1554 grade-55. Bolts are "L" shaped and are galvanized a minimum of 12" on the threaded end. Each pole includes four bolts each with two nuts and two flat washers.

FULL BASE COVER (optional):

Two piece cover fabricated from ABS plastic.

HANDHOLE:

Covered 2 1/2" x 5" reinforced handhole. A nut holder is provided near the handhole and includes a 1/2"-13 UNC hex head bolt and nut.

HARDWARE:

All structural fasteners are galvanized high strength carbon steel. All other fasteners are galvanized or zinc plated or stainless steel.

STANDARD FINISH:

Galvanized or powder coated. Consult factory for standard or custom colors.

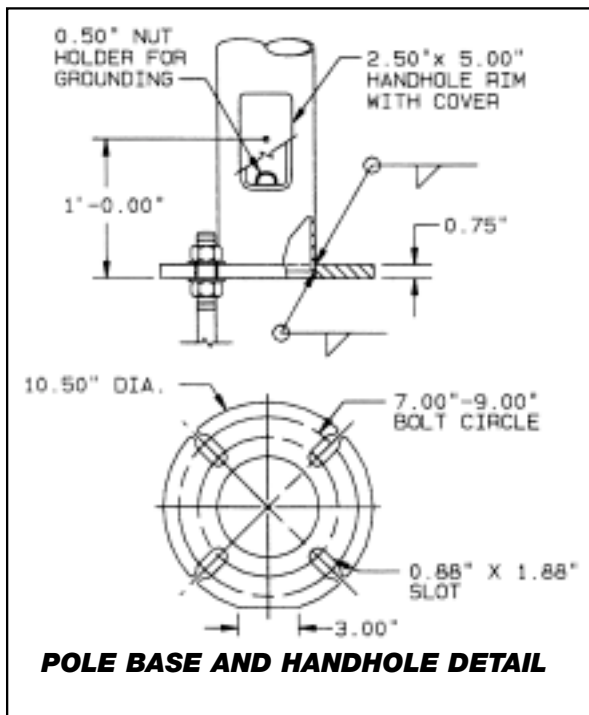
MOUNTINGS OPTIONS:

Tenons- standard 2 3/8" x 4" or 4" x 6" or removable pole cap used in conjunction with side mounted fixtures.

*Serving our customers and
the industry with quality
products since 1973.*

Round Straight Steel Light Poles

POLE CATALOG NUMBER	NOMINAL MOUNTING HEIGHT (ft)	POLE O.D. INCHES	WALL THICKNESS INCHES	Max EPA AT: (Allows for 1.3 Gust Factor)		
				80 MPH	90 MPH	100 MPH
RSS10-303C	10	3.0	.120	10.0	7.7	6.0
RSS10-404C	10	4.0	.120	19.1	15.0	12.2
RSS10-4545C	10	4.5	.120	24.5	19.5	15.8
RSS12-303C	12	3.0	.120	7.7	5.8	4.4
RSS12-404C	12	4.0	.120	15.0	11.8	9.5
RSS12-4545C	12	4.5	.120	19.8	15.7	12.7
RSS14-303C	14	3.0	.120	6.0	4.4	3.3
RSS14-404C	14	4.0	.120	12.2	9.4	7.6
RSS14-4545C	14	4.5	.120	16.2	12.8	10.3
RSS16-303C	16	3.0	.120	4.6	3.2	2.3
RSS16-404C	16	4.0	.120	9.6	7.4	5.9
RSS16-4545C	16	4.5	.120	13.1	10.2	8.2
RSS18-303C	18	3.0	.120	3.4	2.3	1.4
RSS18-404C	18	4.0	.120	7.6	5.7	4.5
RSS18-4545C	18	4.5	.120	10.5	8.2	6.5
RSS20-303C	20	3.0	.120	2.4	1.4	-
RSS20-404C	20	4.0	.120	6.0	4.4	3.4
RSS20-4545C	20	4.5	.120	8.5	6.6	5.2
RSS20-505C	20	5.0	.120	11.7	9.1	7.2
RSS25-404C	25	4.0	.120	2.8	1.9	1.3
RSS25-4545C	25	4.5	.120	4.8	3.6	2.7
RSS25-505C	25	5.0	.120	7.2	5.5	4.2
RSS25-505D	25	5.0	.180	12.1	9.4	7.4
RSS30-4545C	30	4.5	.120	2.3	1.5	1.0
RSS30-505C	30	5.0	.120	4.2	3.0	2.2
RSS30-505D	30	5.0	.180	8.0	6.5	4.7



1. All designs utilize .75" x 17" x 3" anchor bolts.
2. Pole base plate dimensions are the same for all designs. See pole base detail drawing for dimensions.
3. Wind load includes 1.3 gust factor.

Variations in mounting heights listed are available.

Dimensions and Specifications subject to change without notice.