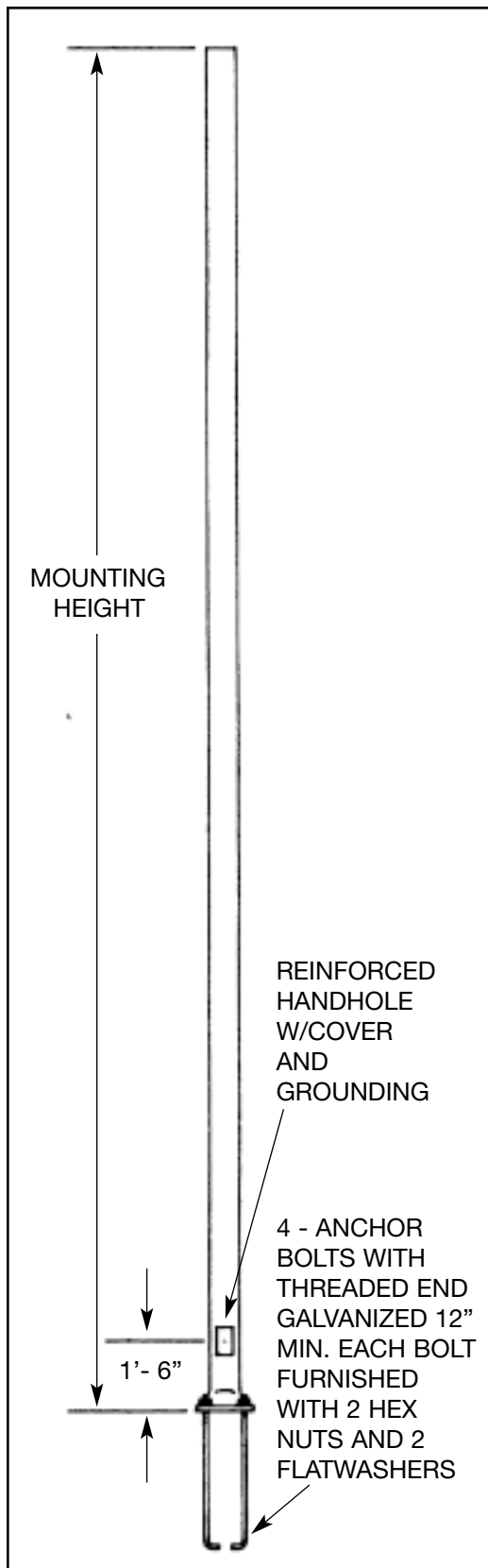


## Square Straight Steel Light Poles



### **POLE SHAFT:**

Weldable grade hot rolled commercial quality carbon steel with minimum yield strength of 55,000 PSI.

### **ANCHOR BASE:**

Structural quality ASTM A36

### **ANCHOR BOLTS:**

Carbon steel conforming to AASHTO M314 Grade- 55 or ASTM F1554 Grade – 55. Bolts are "L" shaped and are galvanized a minimum of 12" on the threaded end. Each pole includes four bolts each with two nuts and two flat washers.

### **FULL BASE COVER:**

Two piece cover fabricated from ABS plastic secured together with two plastic hand push rivets.

### **HANDHOLE:**

Covered 2 1/2" x 5" reinforced handhole. A nut holder is provided near the handhole and includes a 1/2 – 13 UNC hex head bolt and nut.

### **HARDWARE:**

All structural fasteners are galvanized high strength carbon steel. All other fasteners are galvanized or zinc plated or stainless steel.

### **STANDARD FINISH:**

Galvanized or powder coated. Consult factory for standard or custom colors.

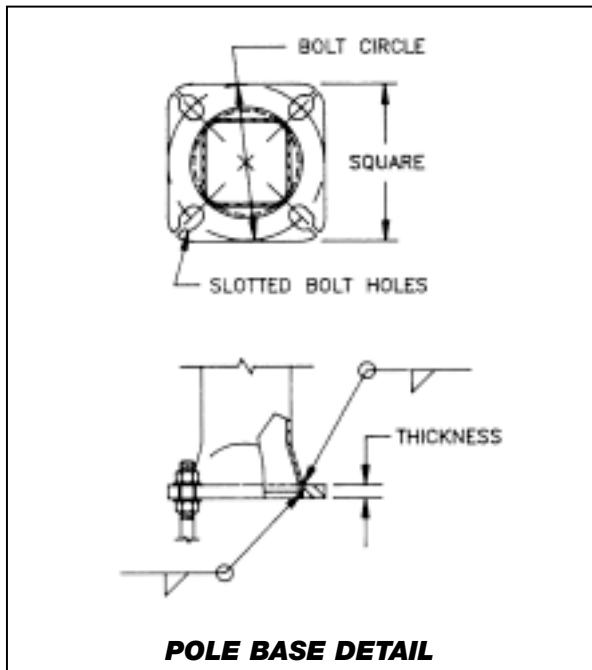
### **MOUNTINGS OPTIONS:**

Tenons-standard 2 3/8" x 4" or 4" x 6" or removable pole cap used in conjunction with side mounted fixtures.

*Serving our customers and  
the industry with quality  
products since 1973.*

# Square Straight Steel Light Poles

POLE CATALOG NUMBER	NOMINAL MOUNTING HEIGHT (ft)	SHAFT SIZE INCHES	WALL THK. GAUGE	BOLT CIRCLE	ANCHOR BOLTS (IN)	Max EPA AT: (Allows for 1.3 Gust Factor)		
						80 MPH	90 MPH	100 MPH
SSS10-404C	10'	4	11	8.5	0.75 X 17 X 3	30.6	23.8	18.9
SSS12-404C	12'	4	11	8.5	0.75 X 17 X 3	24.4	18.8	14.8
SSS14-404C	14'	4	11	8.5	0.75 X 17 X 3	19.9	15.1	11.7
SSS15-404C	15'	4	11	8.5	0.75 X 17 X 3	17.9	13.1	10.5
SSS16-404C	16'	4	11	8.5	0.75 X 17 X 3	15.9	11.8	8.9
SSS18-404C	18'	4	11	8.5	0.75 X 17 X 3	12.6	9.2	6.7
SSS20-404C	20'	4	11	8.5	0.75 X 17 X 3	9.6	6.7	4.5
SSS20-404D	20'	4	7	8.5	0.75 X 17 X 3	15.8	12.7	9.0
SSS20-505C	20'	5	11	11	0.75 X 17 X 3	17.7	12.7	9.4
SSS20-505D	20'	5	7	11	.75 X 17 X 3	28.1	21.4	16.2
SSS25-404C	25'	4	11	8.5	0.75 X 17 X 3	4.8	2.6	1.0
SSS25-404D	25'	4	7	8.5	0.75 X 17 X 3	10.8	7.7	5.4
SSS25-505C	25'	5	11	11	0.75 X 17 X 3	9.8	6.3	3.7
SSS25-505D	25'	5	7	11	0.75 X 17 X 3	18.5	13.3	9.5
SSS30-505C	30'	5	11	11	0.75 X 17 X 3	4.7	2.0	-
SSS30-505D	30'	5	7	11	0.75 X 17 X 3	10.7	6.7	3.9
SSS30-606D	30'	6	7	12	1 X 36 X 4	19.0	13.2	9
SSS35-505D	35'	5	7	11	0.75 X 17 X 3	5.9	2.5	-
SSS35-606D	35'	6	7	12	1 X 36 X 4	12.4	7.6	4.2
SSS40-606D	40'	6	7	12	1 X 36 X 4	7.2	3.0	-



## BASE PLATE

4" - 11 GAUGE - 8 1/2" SQ. X 3/4" THICK

4" - 7 GAUGE - 8 1/2" SQ. X 7/8" THICK

ALL 5" - 11" SQ. X 1" THICK

ALL 6" - 12" SQ. X 1" THICK

Dimensions and Specifications subject to change without notice.