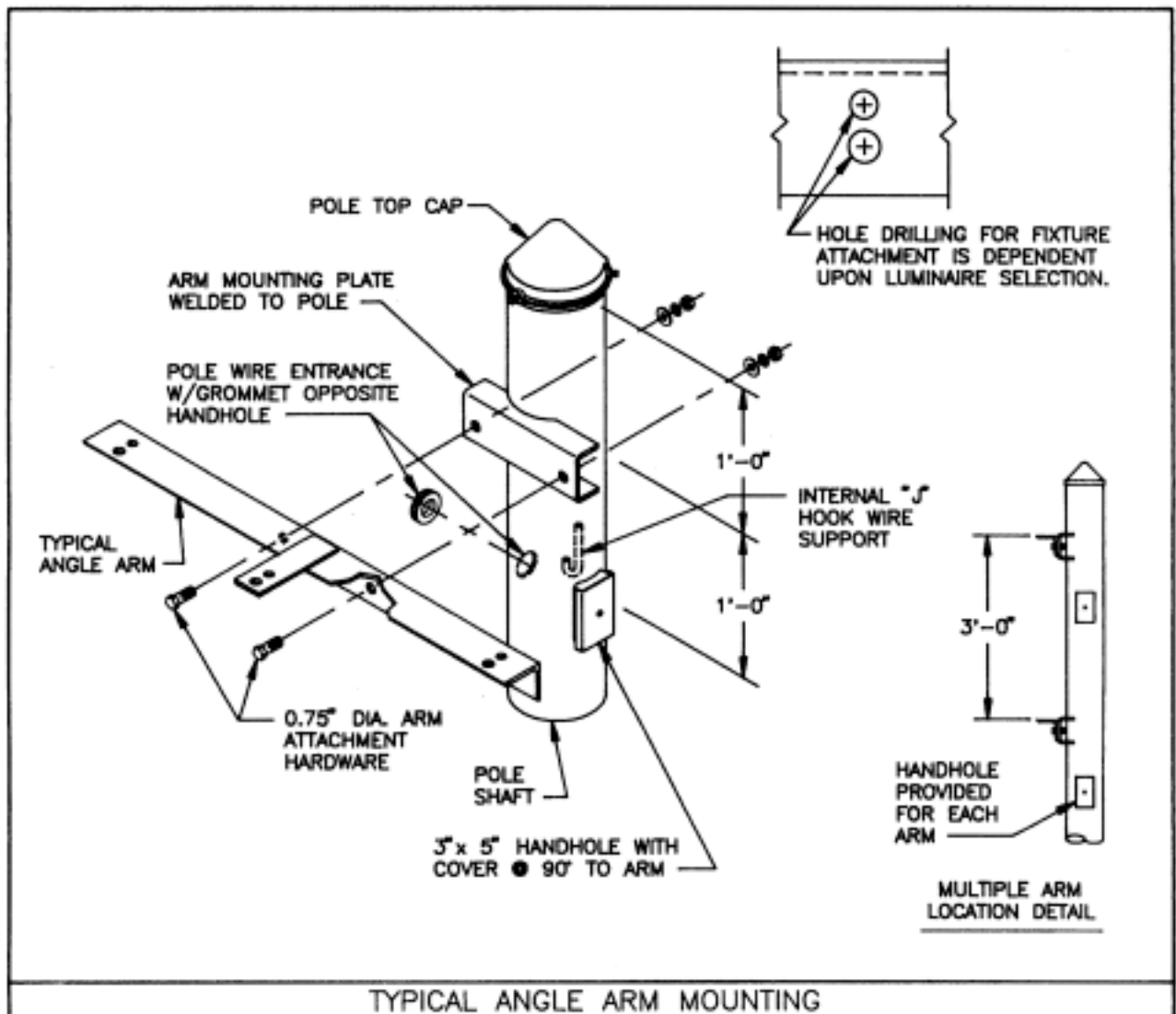


## Bracket - Angle Iron Crossarm

Number of Mounting Locations	Design Number	Detail Number	Bracket Size				Max. Size of Luminaire	
			Weight (lbs)	Max EPA (ft <sup>2</sup> )	Angle Material Size (in)	Total Length (ft)	Weight (lbs)	EPA (ft <sup>2</sup> )
2	ACR2	1	30	1.74	3.5 x 3.5 x .38	3.5	75	3.1
3	ACR3	2	47	2.73	3.5 x 3.5 x .38	5.5	75	3.1
4	ACR4	3	68	3.97	3.5 x 3.5 x .38	8.0	75	3.1
5	ACR5	4	103	5.95	4.0 x 4.0 x .38	10.5	75	3.1
6	ACR6	5	127	7.37	4.0 x 4.0 x .38	13.0	75	3.1

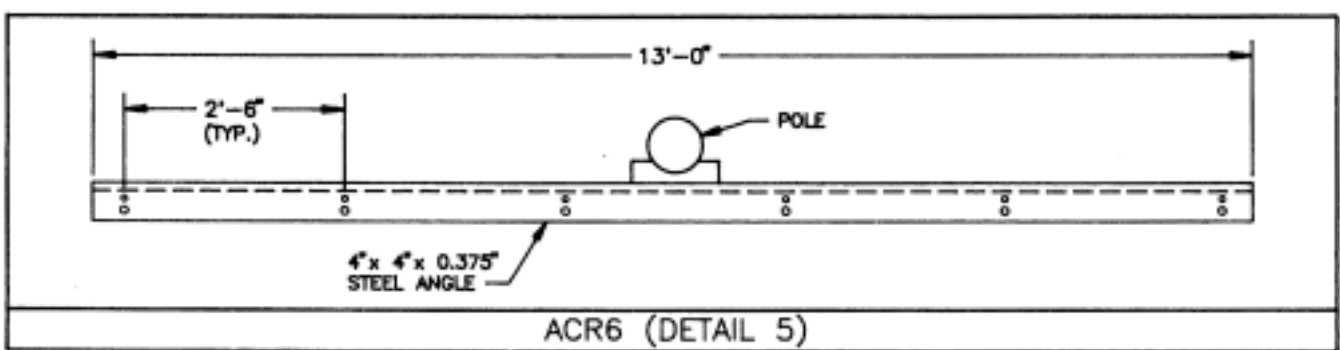
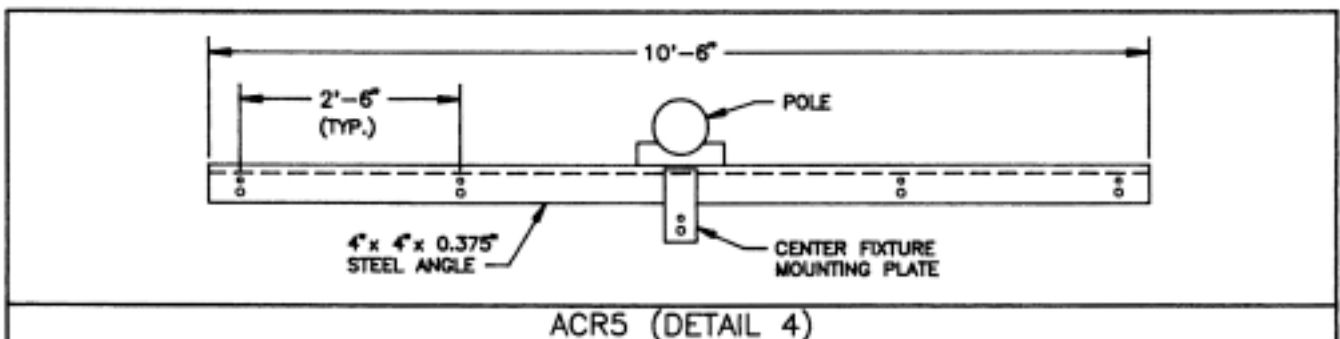
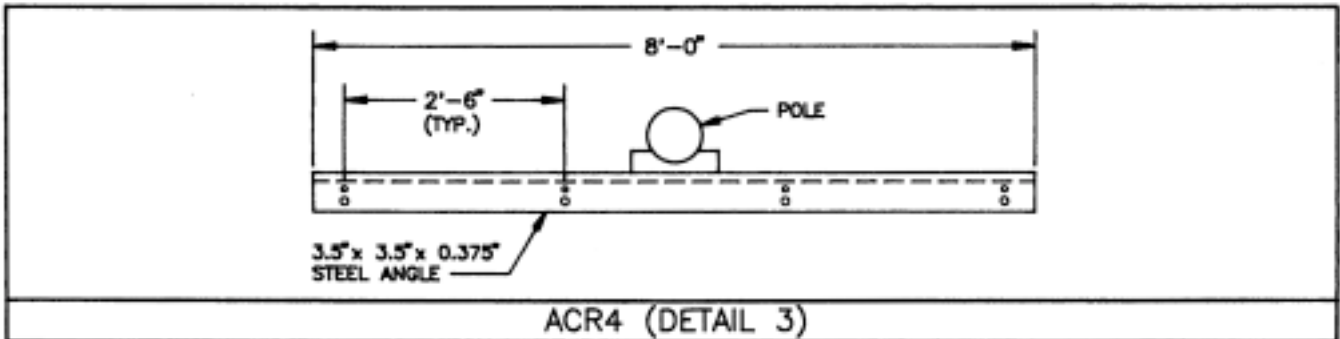
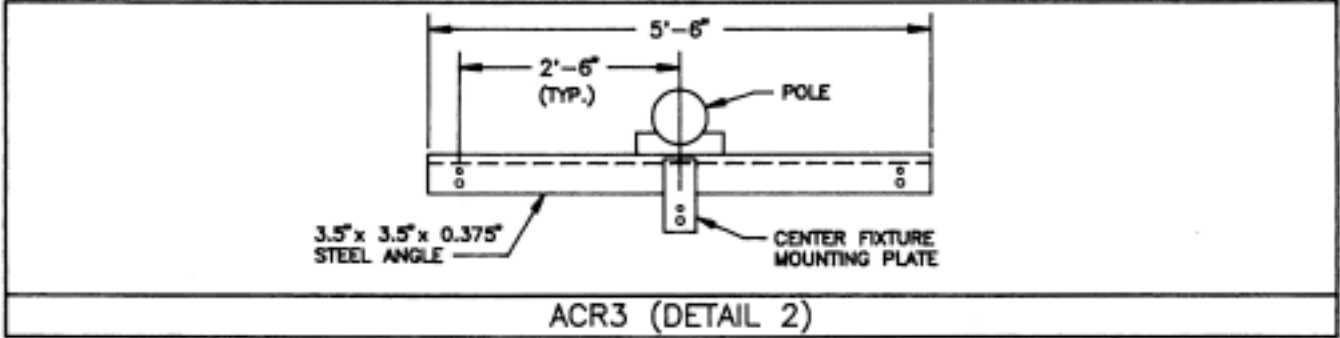
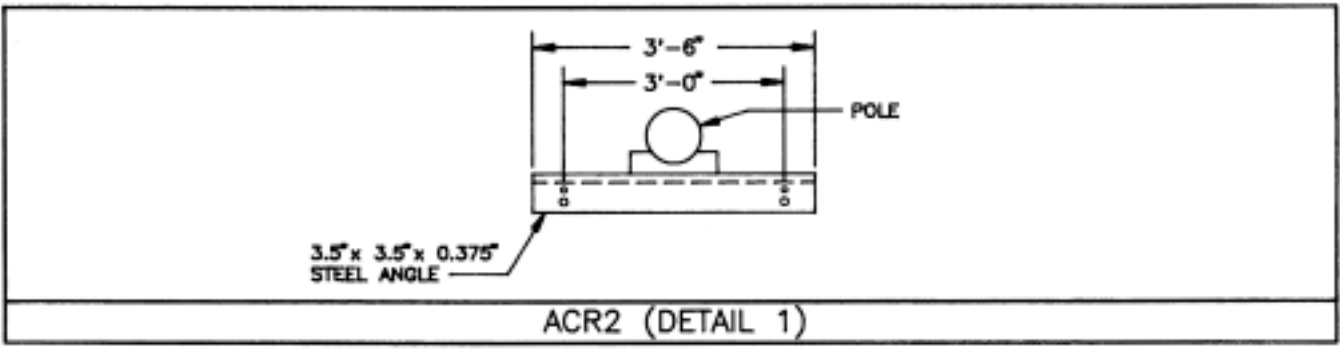
### ACR NOTES:

1. Total combined weight and EPA of brackets and luminaires cannot exceed that allowed on pole selected.
2. Spacing between fixture mounting locations must be compared against actual fixture dimensions to determine proper clearance.
3. Maximum luminaire weight and EPA values are based on a 100 mph wind speed w/1.3 gust factor and maximum 80' mounting height.
4. On ACR3 and ACR5 designs, the center fixture is slightly offset to allow for pole to luminaire clearance. Offset is approximately 8".



*Serving our customers and the industry with quality products since 1973.*

# Bracket - Angle Iron Crossarm



Dimensions and Specifications subject to change without notice.