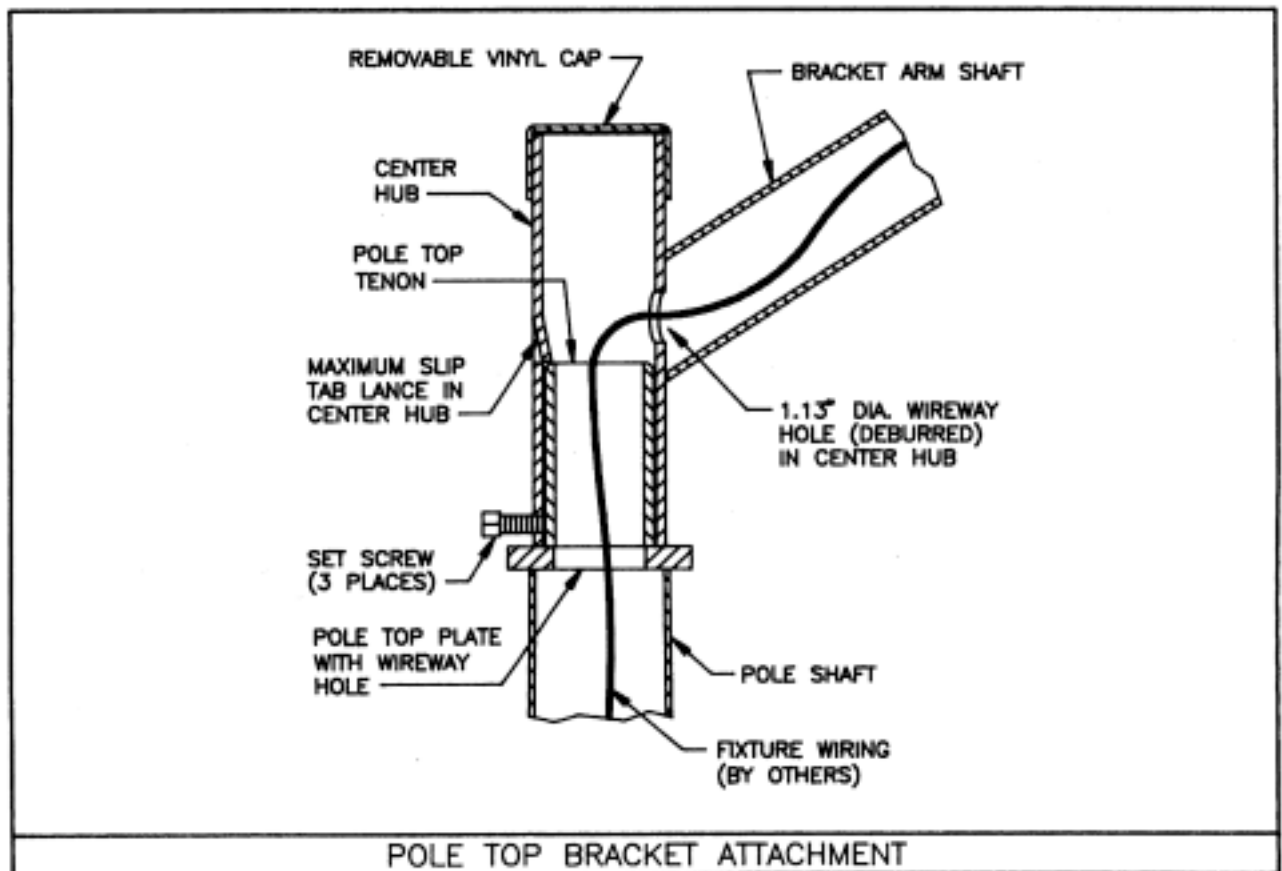


Bracket Arms - Upsweep Type

Number of Mounting Locations	Design Number	Orientation	Detail Number	Bracket Size		Max. Size of Luminaire	
				Weight (lbs)	EPA (ft ²)	Weight (lbs)	EPA (ft ²)
1	MS321-04-02	N/A	1	22	1.1	75	2.0
	MS321-06-02	N/A	2	29	1.5	75	2.0
2	MD322-04-02	180°	3	40	2.1	75	2.0
	MD322-06-02	180°	4	54	2.8	75	2.0
3	MY323-04-02	120°	5	57	1.8	75	2.0
4	MX324-04-02	90°	6	75	2.8	75	2.0

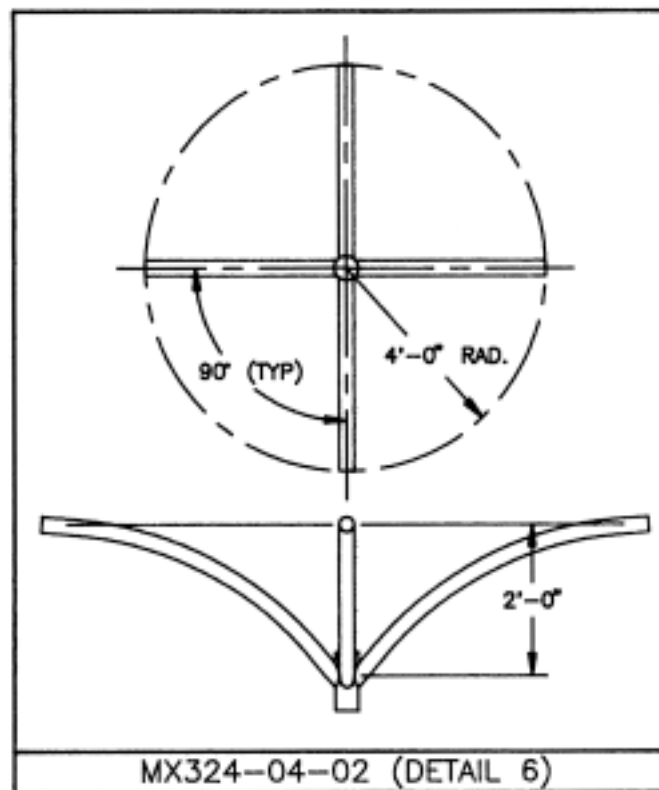
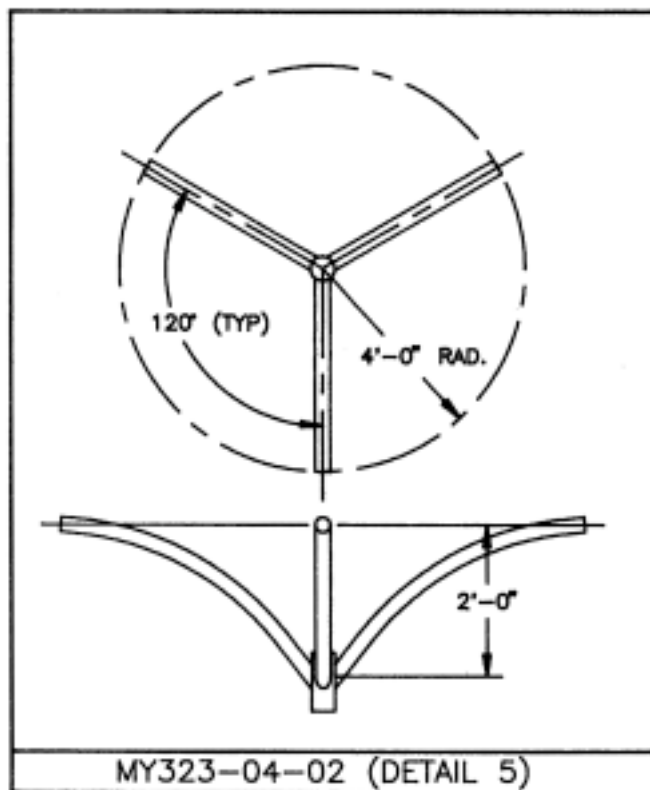
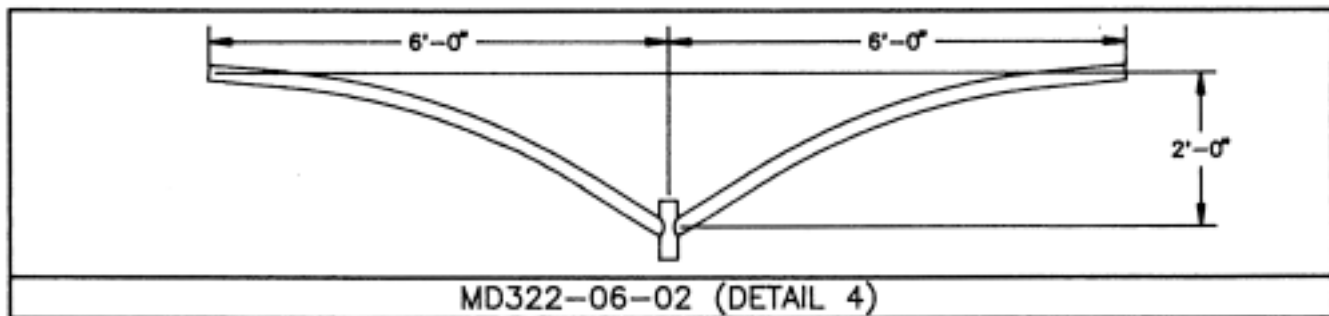
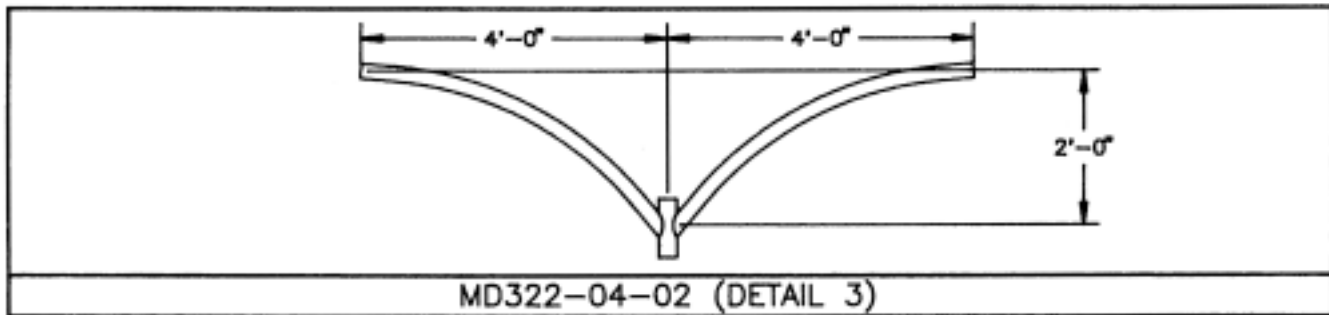
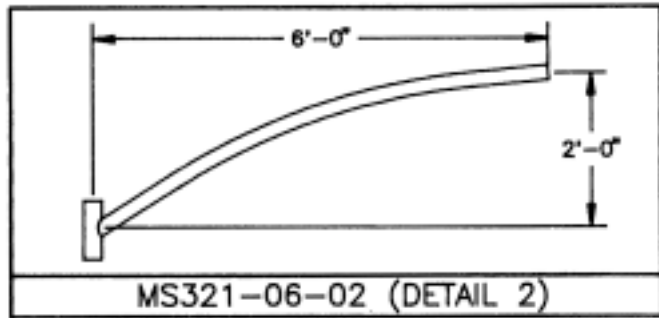
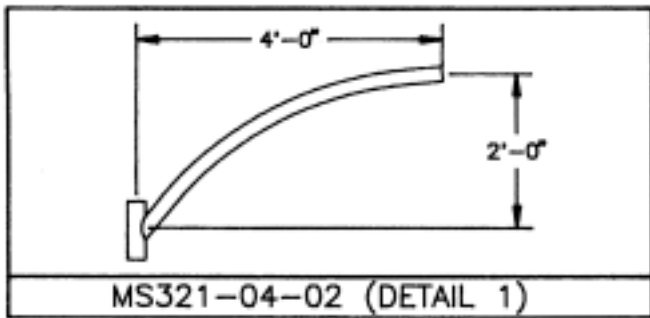
UPSWEEP NOTES:

1. The maximum straight luminaire slipfit length is 6" for all 4' arms and 12" on all 6' arms on above brackets.
2. Total combined weight and EPA of brackets and luminaires cannot exceed that allowed on pole ordered.
3. Maximum Luminaire weight and EPA values are based on a 100 mph wind speed w/1.3 gust factor and maximum 70' mounting height.
4. **MATERIAL:** Center Hub = 2.5" schedule 40 pipe / Arms = 2.0" schedule 40 pipe.



Serving our customers and the industry with quality products since 1973.

Bracket Arms - Upsweep Type



Dimensions and Specifications subject to change without notice.