
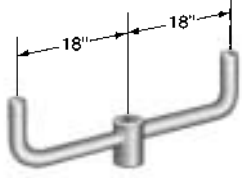

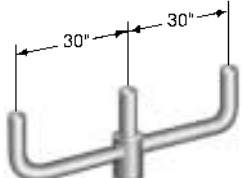
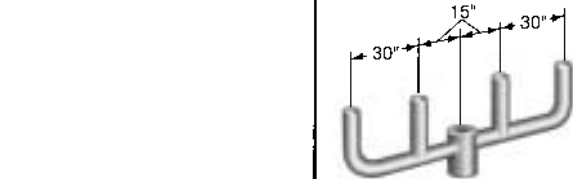
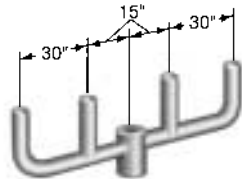

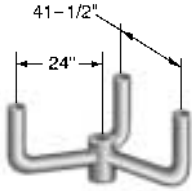

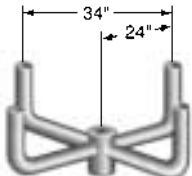


Top Mount Aluminum Bullhorn Floodlight Brackets

Tenon loading is calculated for weights based on a 100 M.P.H. constant wind with a 1.3 gust factor located 30' above grade. When loading requirements exceed these limits contact your NAFCO representative.

- 2-3/8" tenons and mounting arms - other sizes available upon request.
- Bracket hubs slipfit 3", 4", 4-1/2", and 6" O.D. pole tops or tenons.

ILLUSTRATION	DIMENSIONS	DESCRIPTION	MODEL NUMBER	EPA OF BRACKET	MAX WEIGHT LOAD PER TENON	MAX EPA LOAD PER TENON
		Twin Bullhorn 180°	ABH2180	.78	100	5.3
		Triple Bullhorn 180°	ABH3180	1.21	100	4.4
		Quad Bullhorn 180°	ABH4180	1.76	100	2.2
		Triple Bullhorn 120° "Spider" Configuration	ABH3120	.88	100	4.8
		Quad Bullhorn 90° "Spider" Configuration	ABH4090	1.00	100	4.8

Variations from sizes listed above are upon inquiry at the factory

*Serving our customers and
the industry with quality
products since 1973.*

Dimensions and Specifications subject to change without notice.