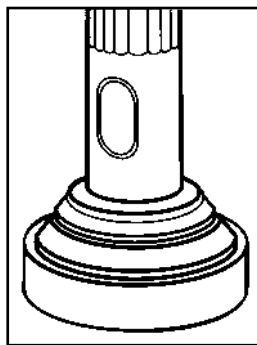
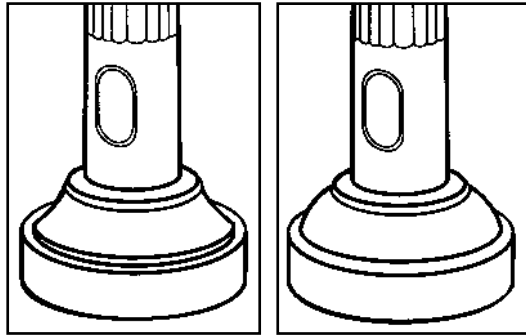


NAFCO International *Fluted Aluminum Base Assemblies "BCAS" Series*



**"BCAS"
Spun
Aluminum
Low Base
Series**

SPECIFICATIONS

Low Bases "BCAS" Series: Low base assemblies are manufactured from one-piece spun aluminum and are non-structural in nature. The aluminum is alloy 1100 and spun to an approximate thickness of .125" to minimize vandalism and damage. The top hole that the pole passes through is punched based on the specified pole base diameter. The low bases can accommodate poles with base diameters of 6", 7" and 8". The base is sanded after spinning to provide an appropriate surface for adhesion of powder coated finish.

Installation of Base Assembly: Bases are designed for "Drop-Over" installation and must be placed over the top of the pole during erection. This must occur prior to mounting of luminaires and luminaire arms to the pole. This approach provides for a clean seamless appearance when installation is complete.

Finish: The finish for the base assemblies is polyester powder applied coating in accordance with NAFCO Specifications. Base assemblies may have finishes selected individually to match pole or elements of the pole top assembly.

CATALOG LOGIC

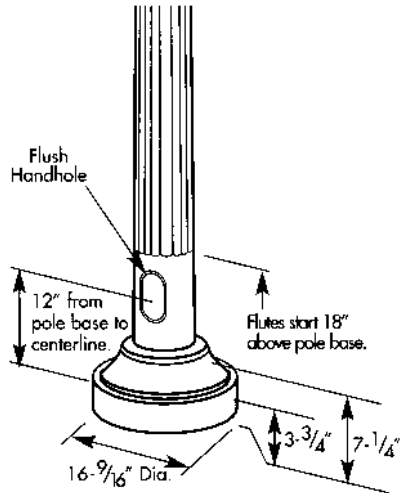
BASE	MATERIAL	STYLE	SIZE	POLE BASE DIAMETER	FINISH
B C	A		L		
BASE BC = Base Assembly	MATERIAL AS = Spun Aluminum Drop-over	STYLE C = Classic R = Renaissance D = Deco	SIZE L = Low	POLE BASE DIAMETER 6 = 6" 7 = 7" 8 = 8"	FINISH WH = White BK = Black MB = Medium Bronze SG = Slate Grey ST = Sandstone SL = Silver BR = Burgandy RD = Red CG = Copper Green BG = Blue Green HG = Hunter Green AB = Azure Blue BV = Dark Blue Violet SC = Special Color (Please Specify)

Serving our customers and the industry with quality products since 1973.

Fluted Aluminum Base Assemblies "BCAS" Series

CLASSIC DIMENSIONS

"BCAS"

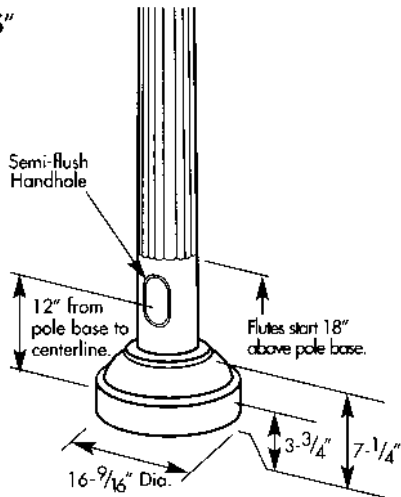


SPECIFICATION NOTES

- "BCAS" series low bases may be used with all Fluted Aluminum Poles

RENAISSANCE DIMENSIONS

"BCAS"

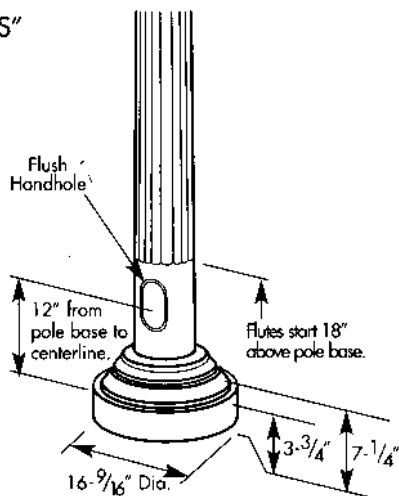


SPECIFICATION NOTES

- "BCAS" series low bases may be used with all Fluted Aluminum Poles

DECO DIMENSIONS

"BCAS"



SPECIFICATION NOTES

- "BCAS" series low bases may be used with all Fluted Aluminum Poles

Dimensions and Specifications subject to change without notice.