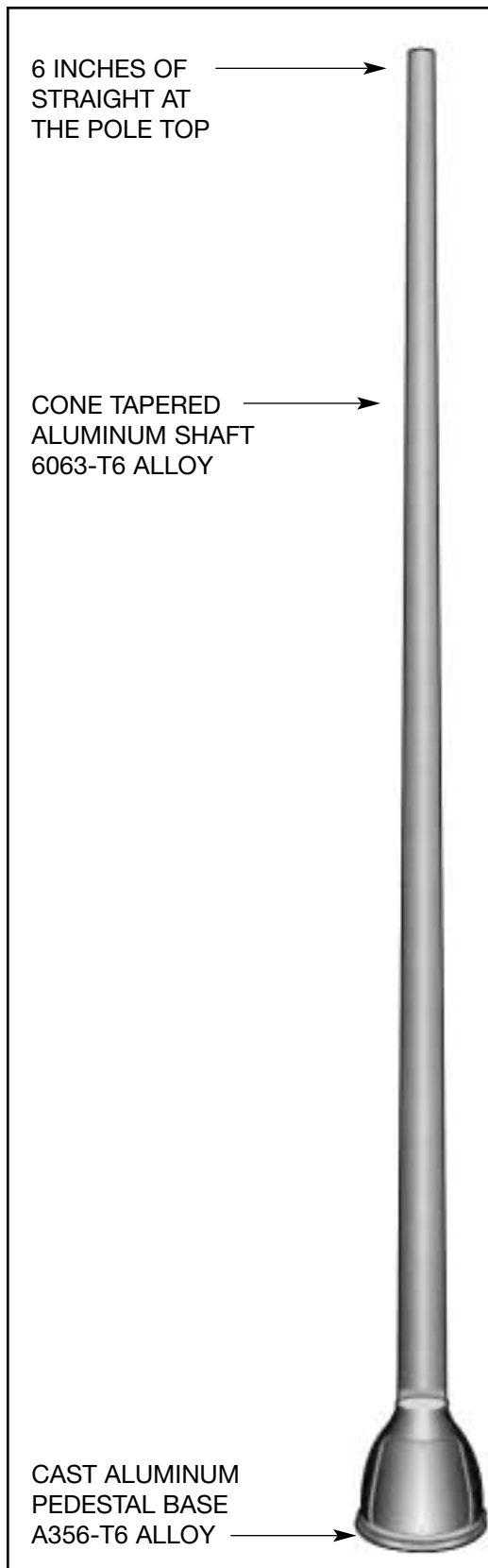


10' to 20' Round Tapered Aluminum Pedestal Base



Shaft: The shaft shall be spun tapered from seamless 6063 Alloy Aluminum and is heat treated after fabrication to produce a T6 temper. Shafts will be polished with fine grain aluminum oxide cloths producing a high quality satin brushed finish. Each pole will be wrapped with neutral PH Krinkle/Kraft paper for protection in shipment.

Pedestal Base: The Pedestal Base is cast from A356 Alloy Aluminum.

Base Handholes: The clear opening and door are a trapezoid configuration. The clear opening on the vertical axis is 7". The opening on the horizontal axis is 6 1/4" at the top and 8" at the bottom.

Anchor Bolts: Each pole to include (3) steel hot dipped galvanized bolts each to have (2) nuts and (2) flat washers.

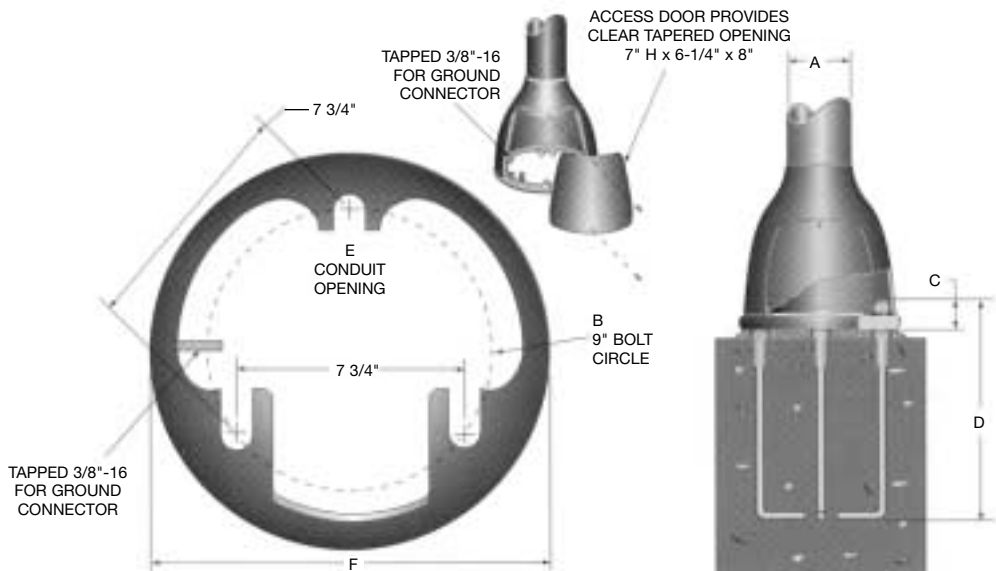
Finishes: Anodized or painted finishes can be provided in addition to the standard brushed aluminum.

Options and Accessories: Vibration dampeners, electrical outlets, tenons or drilling.

*Serving our customers and
the industry with quality
products since 1973.*

10' to 20' Round Tapered Aluminum Pedestal Base Poles

A POLE DIAMETER 4" 5"	B BOLT CIRCLE 9" 9"	C BOLT PROJECTION 3-1/2" 3-1/2"	D BOLT SIZE 3/4" x 17" 3/4" x 17"	E CONDUIT OPENING 7-1/4"	F BASE SIZE 12-1/2" Diameter 12-1/2" Diameter
--	--	--	--	--	--



TYPICAL WEIGHT AND ALLOWABLE SIZE OF LUMINAIRES*							DIMENSIONS OF POLES				
NOMINAL MOUNTING HEIGHT	TYPICAL LUMINAIRE WT (LBS.)	EFFECTIVE PROJECTED AREA IN SQUARE FEET AT					POLE HEIGHT	TOP	BASE	WALL	MODEL NUMBER**
		70 MPH	80 MPH	90 MPH	100 MPH	110 MPH					
10'	75	11.9	8.8	6.7	5.2	4.1	9'8"	3"	4"	.125"	RTA10-304CTP
10'	75	19.7	14.7	11.4	9	7.3	9'8"	3"	5"	.125"	RTA10-305CTP
12'	75	9.1	6.6	4.8	3.6	2.8	11'8"	3"	4"	.125"	RTA12-304CTP
12'	75	15.5	11.4	8.7	6.8	5.4	11'8"	3"	5"	.125"	RTA12-305CTP
12'	75	19.4	14.4	11.1	8.7	7	11'8"	3"	5"	.156"	RTA12-305FTP
12'	75	23.3	17.4	13.4	10.6	8.6	11'8"	3"	5"	.188"	RTA12-305DTP
14'	75	6.9	4.9	3.4	2.4	1.8	13'8"	3"	4"	.125"	RTA14-304CTP
14'	75	12.3	8.9	6.6	5.1	4	13'8"	3"	5"	.125"	RTA14-305CTP
14'	75	15.6	11.4	8.6	6.7	5.3	13'8"	3"	5"	.156"	RTA14-305FTP
14'	75	18.9	13.9	10.6	8.3	6.7	13'8"	3"	5"	.188"	RTA14-305DTP
16'	75	5.3	3.5	2.3	1.5	0.9	15'8"	3"	4"	.125"	RTA16-304CTP
16'	75	9.8	6.9	5	3.8	2.9	15'8"	3"	5"	.125"	RTA16-305CTP
16'	75	12.6	9.1	6.8	5.2	4	15'8"	3"	5"	.156"	RTA16-305FTP
16'	75	15.5	11.3	8.5	6.5	5.2	15'8"	3"	5"	.188"	RTA16-305DTP
18'	75	7.8	5.3	3.7	2.7	2	17'8"	3"	5"	.125"	RTA18-305CTP
18'	150	9.9	7	5	3.7	2.8	17'8"	3"	5"	.156"	RTA18-305FTP
18'	150	12.4	8.8	6.5	4.9	3.8	17'8"	3"	5"	.188"	RTA18-305DTP
20'	150	6.3	4.1	2.7	1.7	1.1	19'8"	3"	5"	.125"	RTA20-305CTP
20'	150	8.1	5.5	3.8	2.6	1.9	19'8"	3"	5"	.156"	RTA20-305FTP
20'	150	10.3	7.2	5.1	3.7	2.9	19'8"	3"	5"	.188"	RTA20-305DTP

* EPA calculations are based on a 1.3 Gust Factor. Variations from pole sizes listed above, available upon inquiry at the factory. Satisfactory performance of lighting poles is dependent upon the pole being properly attached to a supporting foundation of adequate design. NAFCO does not design or offer recommendations for foundations.

** Model number does not include mounting options or finish designation.

Dimensions and Specifications subject to change without notice.