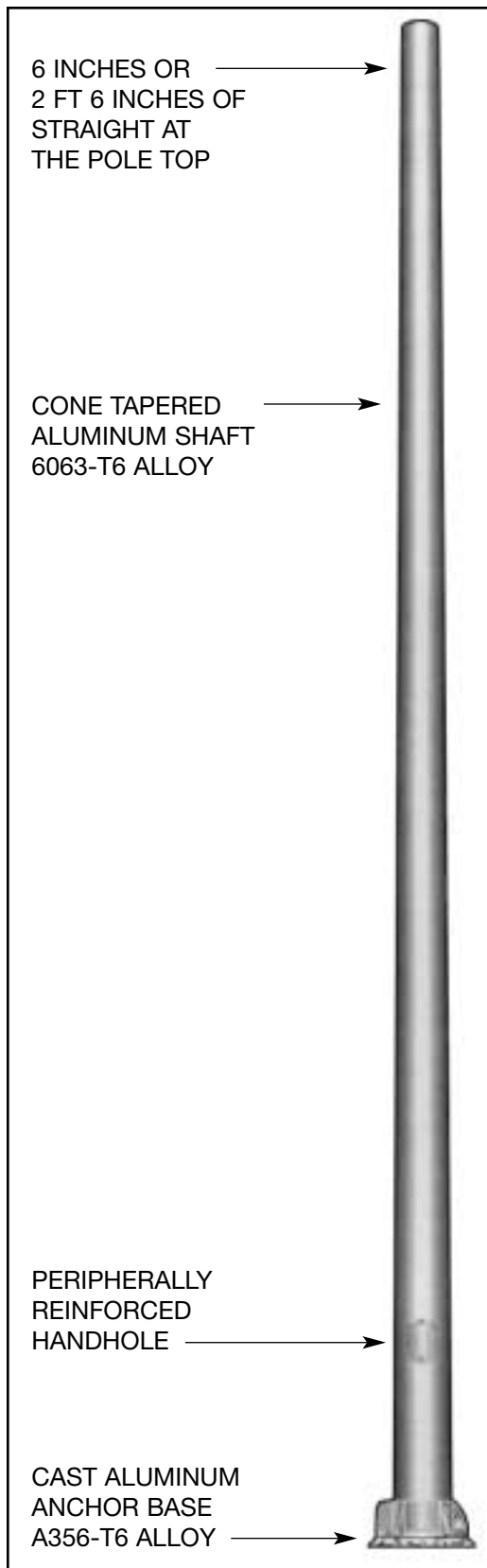


## 25' to 50' Round Tapered Aluminum 4-Bolt Anchor Base



**Shaft:** The shaft shall be spun tapered from seamless 6063 Alloy Aluminum and is heat treated after fabrication to produce a T6 temper. Shafts will be polished with fine grain aluminum oxide cloths producing a high quality satin brushed finish. Each pole will be wrapped with neutral PH Krinkle/Kraft paper for protection in shipment.

**Anchor Base:** Cast from A356 Alloy Aluminum. Nut Covers will be provided with each anchor base unless otherwise specified.

**Handholes:** Peripherally reinforced flush covered handhole centered 18" above the bottom of the pole. Opening for 6" poles is 3" x 5", and 7", 8" and 10" poles are 4" x 6". An optional 4" x 8" opening is available for 8" and 10" poles.

**Anchor Bolts:** Each pole to include (4) steel hot dipped galvanized bolts each to have (2) nuts and (2) flat washers.

**Finishes:** Anodized or painted finishes can be provided in addition to the standard brushed aluminum.

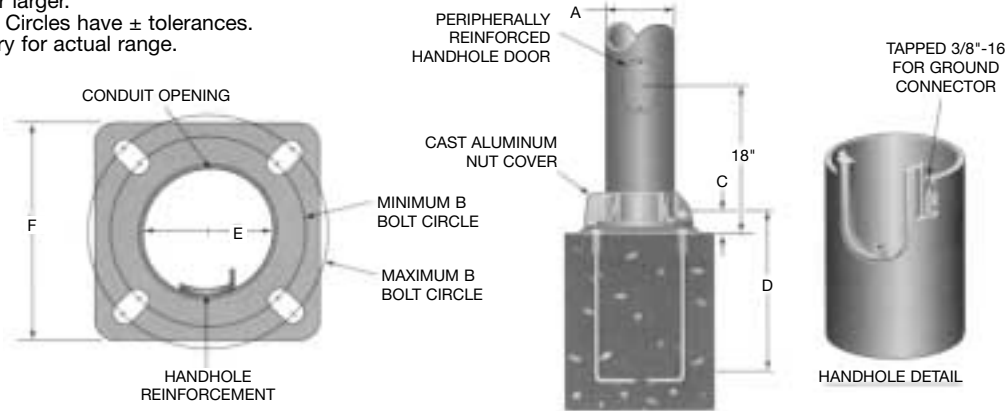
**Options and Accessories:** Full base cover, Vibration dampeners, gasketed handhole cover, electrical outlets, tenons or drilling, transformer bases.

*Serving our customers and  
the industry with quality  
products since 1973.*

# 25' to 50' Round Tapered Aluminum 4-Bolt Anchor Base Poles

A	B	C	D	E	F
POLE DIAMETER	BOLT CIRCLE	BOLT PROJECTION	BOLT SIZE	CONDUIT OPENING	BASE SIZE
6"	8-3/4" - 10-1/4"	3-1/2"	3/4" x 17"	5-1/2"	10-1/4"
7"	9-7/8" - 11-1/4"	4-1/8"	1" x 36"	6-1/2"	10-5/8"
8"	11" - 12-1/8"	4-1/4"	1" x 36"	7-1/2"	11-5/8"
10"	14-1/2"	4-1/2"	1" x 36"	9-1/2"	14-1/2"
*10"	14-1/2"	5"	1-1/4" x 42"	9-1/2"	14-1/2"

\*0.250" wall or larger.  
10" Base Bolt Circles have ± tolerances.  
Contact factory for actual range.



TYPICAL WEIGHT AND ALLOWABLE SIZE OF LUMINAIRES*							DIMENSIONS OF POLES				
NOMINAL MOUNTING HEIGHT	TYPICAL LUMINAIRE WT (LBS.)	EFFECTIVE PROJECTED AREA IN SQUARE FEET AT					POLE HEIGHT	TOP	BASE	WALL	MODEL NUMBER**
		70 MPH	80 MPH	90 MPH	100 MPH	110 MPH					
25'	150	9.5	6.2	4.2	3.1	2.4	24'8"	4"	6"	.156"	#RTA25-406F
25'	150	12.7	8.6	6.1	4.6	3.5	24'8"	4"	6"	.188"	RTA25-406D
25'	150	15.8	11.2	8.2	6.4	4.9	24'8"	4"	7"	.156"	RTA25-407F
25'	150	22.8	16.7	12.8	10	8	24'8"	4.5"	8"	.156"	RTA25-458F
25'	150	28.5	21.2	16.2	12.8	10.4	24'8"	4.5"	8"	.188"	RTA25-458D
28'	150	12	8.1	5.8	4.2	3.3	27'8"	4"	7"	.156"	#RTA28-407F
28'	150	18.2	13.1	9.9	7.6	6	27'8"	4.5"	8"	.156"	RTA28-458F
28'	150	23.2	16.9	12.9	10.1	8	27'8"	4.5"	8"	.188"	RTA28-458D
28'	150	32.6	24.1	18.6	14.7	11.8	27'8"	4.5"	8"	.250"	RTA28-458E
28'	200	41.6	31.3	24.2	19.2	15.3	27'8"	6"	10"	.188"	RTA28-601D
28'	300	56.2	42.6	33.2	26.4	21.2	27'8"	6"	10"	.250"	RTA28-601E
30'	150	10	6.5	4.5	3.2	2.4	29'8"	4"	7"	.156"	#RTA30-407F
30'	150	15.5	11.1	8.2	6.2	4.8	29'8"	4.5"	8"	.156"	#RTA30-458F
30'	150	20.2	14.6	11.1	8.6	6.7	29'8"	4.5"	8"	.188"	RTA30-458D
30'	150	28.8	21.2	16.2	12.8	10.2	29'8"	4.5"	8"	.250"	RTA30-458E
30'	200	37.3	28	21.5	16.8	13.3	29'8"	6"	10"	.188"	RTA30-601D
30'	300	50.7	38.2	29.6	23.5	18.8	29'8"	6"	10"	.250"	RTA30-601E
33'	150	12.1	8.4	6	4.5	3.3	32'8"	4.5"	8"	.156"	#RTA33-458F
33'	150	16.4	11.5	8.5	6.5	4.9	32'8"	4.5"	8"	.188"	RTA33-458D
33'	150	24	17.4	13.2	10.2	8.1	32'8"	4.5"	8"	.250"	RTA33-458E
33'	200	31.5	23.5	18	14	10.8	32'8"	6"	10"	.188"	RTA33-601D
33'	300	43.5	32.7	25.2	19.9	15.8	32'8"	6"	10"	.250"	RTA33-601E
35'	150	10.2	6.8	4.8	3.4	2.5	34'8"	4.5"	8"	.156"	#RTA35-458F
35'	150	14	9.8	7.1	5.3	4	34'8"	4.5"	8"	.188"	RTA35-458D
35'	150	21.3	15.2	11.4	8.8	6.9	34'8"	4.5"	8"	.250"	RTA35-458E
35'	200	28.4	21.1	16	12.2	9.4	34'8"	6"	10"	.188"	RTA35-601D
35'	300	39.4	29.5	22.7	17.6	13.9	34'8"	6"	10"	.250"	RTA35-601E
37'	150	12	8.1	5.8	4.2	3.1	36'8"	4.5"	8"	.188"	#RTA37-458D
37'	150	18.7	13.3	9.9	7.5	5.8	36'8"	4.5"	8"	.250"	RTA37-458E
37'	200	25.4	18.7	14.1	10.7	8	36'8"	6"	10"	.188"	RTA37-601D
37'	300	35.8	26.7	20.4	15.8	12.2	36'8"	6"	10"	.250"	RTA37-601E
39'	150	10.1	6.6	4.6	3.2	2.1	38'8"	4.5"	8"	.188"	#RTA39-458D
39'	150	16.5	11.4	8.4	6.4	4.7	38'8"	4.5"	8"	.250"	RTA39-458E
39'	200	22.8	16.7	12.4	9.2	6.8	38'8"	6"	10"	.188"	RTA39-601D
39'	300	32.4	24	18.2	14	10.7	38'8"	6"	10"	.250"	RTA39-601E
48'	300	19.6	14.1	10.4	7.6	5.4	47'8"	6"	10"	.250"	RTA48-601E
50'	300	17.5	12.5	9.1	5.5	4.5	49'8"	6"	10"	.250"	RTA50-601E

\* EPA calculations are based on a 1.3 Gust Factor. Variations from pole sizes listed above, available upon inquiry at the factory. Satisfactory performance of lighting poles is dependent upon the pole being properly attached to a supporting foundation of adequate design. NAFCO does not design or offer recommendations for foundations.

\*\* Model number does not include mounting options or finish designation.

# Pole includes factory installed vibration dampener.

Dimensions and Specifications subject to change without notice.