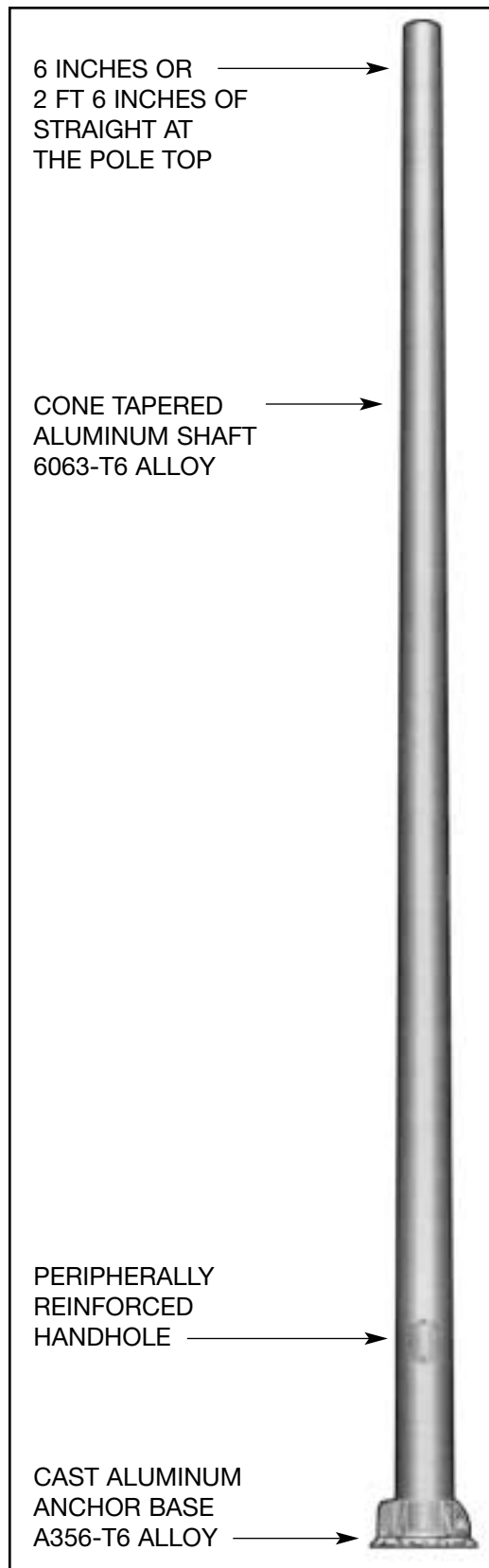


## 8' to 23' Round Tapered Aluminum 4-Bolt Anchor Base



**Shaft:** The shaft shall be spun tapered from seamless 6063 Alloy Aluminum and is heat treated after fabrication to produce a T6 temper. Shafts will be polished with fine grain aluminum oxide cloths producing a high quality satin brushed finish. Each pole will be wrapped with neutral PH Krinkle/Kraft paper for protection in shipment.

**Anchor Base:** Cast from A356 Alloy Aluminum. Nut Covers will be provided with each anchor base unless otherwise specified.

**Handholes:** Peripherally reinforced flush covered handhole centered 18" above the bottom of the pole. Opening for 4" poles is 2 3/8" x 4 1/2", 5" and 6" poles are 3" x 5". And 7" and 8" poles are 4" x 6".

**Anchor Bolts:** Each pole to include (4) steel hot dipped galvanized bolts each to have (2) nuts and (2) flat washers.

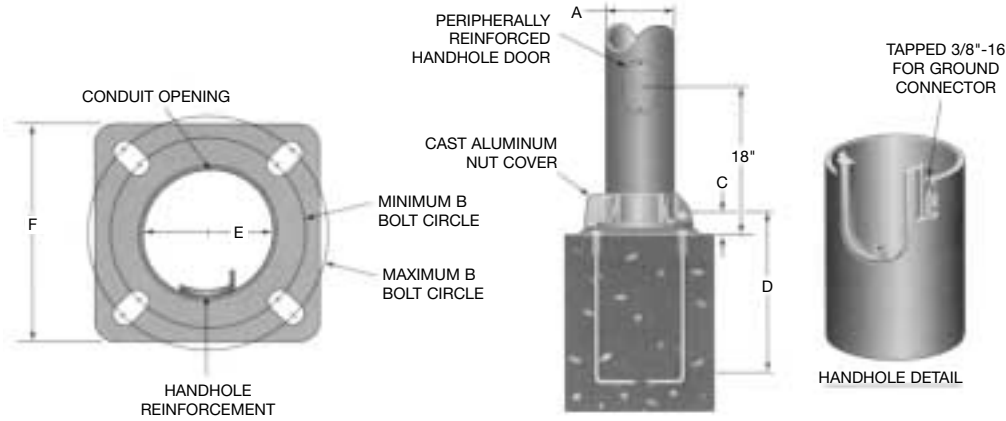
**Finishes:** Anodized or painted finishes can be provided in addition to the standard brushed aluminum.

**Options and Accessories:** Full base cover, Vibration dampeners, gasketed handhole cover, electrical outlets, tenons or drilling, transformer bases.

*Serving our customers and  
the industry with quality  
products since 1973.*

# 8' to 23' Round Tapered Aluminum 4-Bolt Anchor Base Poles

A	B	C	D	E	F
POLE DIAMETER	BOLT CIRCLE	BOLT PROJECTION	BOLT SIZE	CONDUIT OPENING	BASE SIZE
4"	6-1/2" - 8-1/4"	3-1/4"	3/4" x 17"	3-3/4"	8-3/4"
5"	7-1/2" - 9-1/2"	3-1/4"	3/4" x 17"	4-1/2"	9-1/4"
6"	8-3/4" - 10-1/4"	3-1/2"	3/4" x 17"	5-1/2"	10-1/4"
7"	9-7/8" - 11-1/4"	4-1/8"	1" x 36"	6-1/2"	10-5/8"
8"	11" - 12-1/8"	4-1/4"	1" x 36"	7-1/2"	11-5/8"



TYPICAL WEIGHT AND ALLOWABLE SIZE OF LUMINAIRES*							DIMENSIONS OF POLES				
NOMINAL MOUNTING HEIGHT	TYPICAL LUMINAIRE WT (LBS.)	EFFECTIVE PROJECTED AREA IN SQUARE FEET AT					POLE HEIGHT	TOP	BASE	WALL	MODEL NUMBER**
		70 MPH	80 MPH	90 MPH	100 MPH	110 MPH					
8'	75	18.9	14.2	10.9	8.6	6.9	7'8"	3"	4"	.125"	RTA08-304C
10'	75	14	10.4	7.9	6.1	4.8	9'8"	3"	4"	.125"	RTA10-304C
10'	75	23.2	17.3	13.4	10.6	8.6	9'8"	3"	5"	.125"	RTA10-305C
12'	75	10.7	7.8	5.6	4.2	3.3	11'8"	3"	4"	.125"	RTA12-304C
12'	75	18.1	13.4	10.2	8	6.4	11'8"	3"	5"	.125"	RTA12-305C
12'	75	22.8	16.9	13.1	10.2	8.2	11'8"	3"	5"	.156"	RTA12-305F
12'	150	27.1	20.2	15.6	12.4	10	11'8"	3"	5"	.188"	RTA12-305D
14'	75	8.1	5.8	4	2.8	2.1	13'8"	3"	4"	.125"	RTA14-304C
14'	75	14.5	10.5	7.8	6	4.7	13'8"	3"	5"	.125"	RTA14-305C
14'	75	18.4	13.4	10.1	7.9	6.2	13'8"	3"	5"	.156"	RTA14-305F
14'	150	21.9	16.1	12.4	9.6	7.8	13'8"	3"	5"	.188"	RTA14-305D
16'	75	6.2	4.1	2.7	1.8	1.1	15'8"	3"	4"	.125"	RTA16-304C
16'	75	11.5	8.1	5.9	4.5	3.4	15'8"	3"	5"	.125"	RTA16-305C
16'	75	14.8	10.7	8	6.1	4.7	15'8"	3"	5"	.156"	RTA16-305F
16'	150	17.8	12.9	9.8	7.5	6	15'8"	3"	5"	.188"	RTA16-305D
16'	150	22.4	16.6	12.7	10.1	8.2	15'8"	4"	6"	.156"	RTA16-406F
16'	150	27.3	20	15.8	12.6	10.2	15'8"	4"	6"	.188"	RTA16-406D
18'	150	8.7	3.5	4.1	2.9	2.1	17'8"	3"	5"	.125"	RTA18-305C
18'	150	11.6	6.5	5.9	4.4	3.3	17'8"	3"	5"	.156"	RTA18-305F
18'	150	14.6	8.2	7.6	5.8	4.5	17'8"	3"	5"	.188"	RTA18-305D
18'	150	18.5	13.5	10.2	8.1	6.5	17'8"	4"	6"	.156"	RTA18-406F
18'	150	22.8	16.8	12.9	10.2	8.2	17'8"	4"	6"	.188"	RTA18-406D
18'	150	27.3	20.2	15.6	12.5	10.1	17'8"	4"	7"	.156"	RTA18-407F
20'	150	7.1	4.6	2.9	1.9	1.2	19'8"	3"	5"	.125"	RTA20-305C
20'	150	9.8	6.6	4.6	3.2	2.2	19'8"	3"	5"	.156"	RTA20-305F
20'	150	12.5	8.7	6.1	4.5	3.3	19'8"	3"	5"	.188"	RTA20-305D
20'	150	15.9	11.3	8.4	6.6	5.2	19'8"	4"	6"	.156"	RTA20-406F
20'	150	19.9	14.4	10.8	8.5	6.8	19'8"	4"	6"	.188"	RTA20-406D
20'	150	23.9	17.6	13.4	10.6	8.6	19'8"	4"	7"	.156"	RTA20-407F
23'	150	11.8	8	5.6	4.4	3.3	22'8"	4"	6"	.156"	RTA23-406F
23'	150	14.2	10.6	7.8	6	4.7	22'8"	4"	6"	.188"	RTA23-406D
23'	150	17.7	13.4	10	7.8	6.2	22'8"	4"	7"	.156"	RTA23-407F
23'	150	26.5	19.5	15.1	11.9	9.5	22'8"	4.5"	8"	.156"	RTA23-458F
23'	150	32.8	24.4	18.8	15.1	12.1	22'8"	4.5"	8"	.188"	RTA23-458D

\* EPA calculations are based on a 1.3 Gust Factor. Variations from pole sizes listed above, available upon inquiry at the factory. Satisfactory performance of lighting poles is dependent upon the pole being properly attached to a supporting foundation of adequate design. NAFCO does not design or offer recommendations for foundations.

\*\* Model number does not include mounting options or finish designation.

Dimensions and Specifications subject to change without notice.