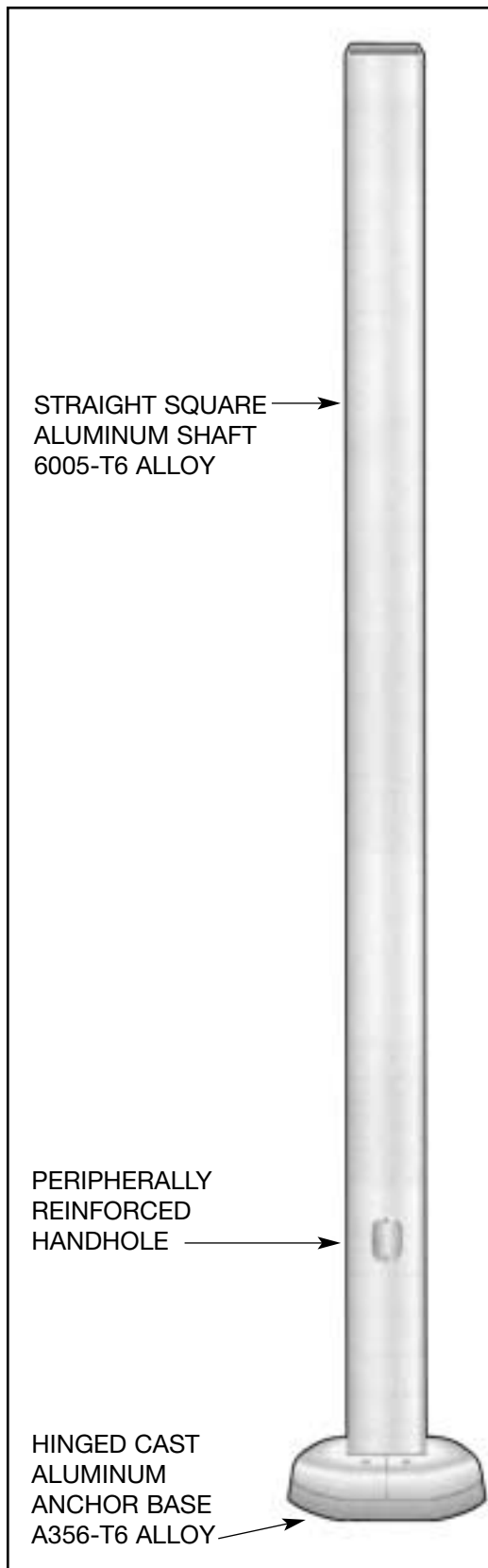


8' to 20' Square Straight Aluminum Hinged Base Poles



Shaft: The shaft shall be extruded from seamless 6005 Alloy Aluminum and is heat treated after fabrication to produce a T6 temper. They will be longitudinally polished to produce a high quality brushed finish. Each pole will be wrapped with neutral PH Krinkle/Kraft paper for protection in shipment.

Hinged Anchor Base: The universal hinged anchor base is cast from A356 Alloy Aluminum. The shaft shall be inserted into the tilting section of the hinged base and shall be joined to it by continuous circumferential welds at the outside top and inside bottom of that section. The tilting and anchored sections of the hinged base shall be joined by a 3/4" diameter solid aluminum pivot rod. The tilting section of the hinged base shall be held in a vertical position by (3) 1/2" - 13 x 2" stainless steel hex head bolts. These bolts shall attach to stainless steel inserts cast into the aluminum base. A cast aluminum 2-piece cover is included. The completed assembly shall be heat treated to a T6 condition.

Handholes: Peripherally reinforced surface mounted covered handhole centered 18" above the bottom of the pole. Opening shall be rectangular in shape. Opening for 4" poles will be 2" x 4" and 5" poles is 2 1/2" x 4".

Anchor Bolts: Each pole to include (4) steel hot dipped galvanized bolts each to have (2) nuts and (2) flat washers.

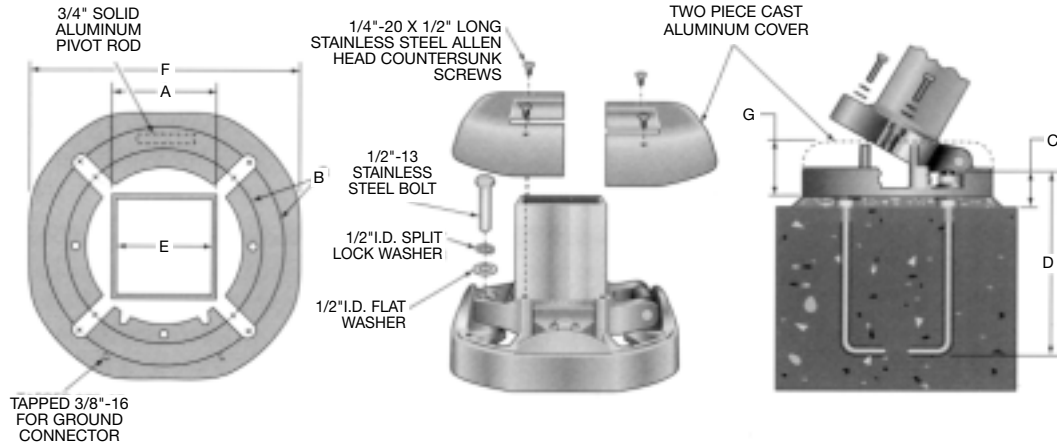
Finishes: Anodized or painted finishes can be provided in addition to the standard brushed aluminum.

Options and Accessories: Vibration dampeners, gasketed handhole cover, electrical outlets, tenons or drilling.

*Serving our customers and
the industry with quality
products since 1973.*

8' to 20' Square Straight Aluminum Hinged Base Poles

A	B	C	POLE HEIGHT	POLE WALL	D	E	CONDUIT PROJECTION	F	G
SQUARE SIZE	BOLT CIRCLE	BOLT PROJECTION			BOLT SIZE	CONDUIT OPENING		WIDTH	HEIGHT
4"	8-1/2" - 10"	3-1/2"	8' - 18'	.125"	3/4" x 17"	3-1/2"	1-1/2"	11-11/16"	3-1/16"
4"	8-1/2" - 10"	3-1/2"	16' - 20'	.188"	3/4" x 17"	3-1/2"	1-1/2"	11-11/16"	3-1/16"
5"	9-5/16" - 10"	3-1/2"	18' - 20'	.188"	3/4" x 17"	4-1/2"	1-1/2"	11-11/16"	3-1/16"



TYPICAL WEIGHT AND ALLOWABLE SIZE OF LUMINAIRES*							DIMENSIONS OF POLES			
NOMINAL MOUNTING HEIGHT	TYPICAL LUMINAIRE WT (LBS.)	EFFECTIVE PROJECTED AREA IN SQUARE FEET AT					POLE HEIGHT	SQUARE SIZE	WALL	MODEL NUMBER**
		70 MPH	80 MPH	90 MPH	100 MPH	110 MPH				
USE CHART BELOW FOR SIDE-MOUNTED LUMINAIRES										
8'	350	25	18.6	14	10.7	8.3	8'	4"	.125"	SSA08-404CNH
10'	260	19	13.7	10	7.3	5.3	10'	4"	.125"	SSA10-404CNH
12'	260	24	17.5	13.2	10	7.6	12'	4"	.125"	SSA12-404CNH
14'	200	18.7	13.3	9.6	6.9	4.9	14'	4"	.125"	SSA14-404CNH
15'	200	12.8	8.8	6.1	4.2	2.7	15'	4"	.125"	SSA15-404CNH
16'	200	11	7.3	4.8	3	1.7	16'	4"	.125"	SSA16-404CNH
16'	200	18.2	13	9.2	6.6	4.7	16'	4"	.188"	SSA16-404DNH
18'	100	8.3	5.1	2.9	1.3	N/A	18'	4"	.125"	SSA18-404CNH
18'	150	14.3	9.7	6.5	4.2	2.6	18'	4"	.188"	SSA18-404DNH
18'	260	25.6	18.2	13	9.2	6.4	18'	5"	.188"	SSA18-505DNH
20'	150	14.3	9.7	6.5	4.2	2.6	20'	4"	.188"	SSA20-404DNH
20'	260	25.6	18.2	13	9.2	6.4	20'	5"	.188"	SSA20-505DNH
USE CHART BELOW FOR TOP-MOUNTED LUMINAIRES										
8'	350	21	15.5	11.6	8.9	6.9	8'	4"	.125"	SSA08-404CNH
10'	260	16.5	11.8	8.6	6.3	4.6	10'	4"	.125"	SSA10-404CNH
12'	260	20.8	15.2	11.3	8.6	6.5	12'	4"	.125"	SSA12-404CNH
14'	200	13.2	9.3	6.7	4.8	3.4	14'	4"	.125"	SSA14-404CNH
15'	200	11.3	7.8	5.4	3.7	2.4	15'	4"	.125"	SSA15-404CNH
16'	200	9.7	6.5	4.3	2.7	1.5	16'	4"	.125"	SSA16-404CNH
16'	200	16.4	11.6	8.3	5.9	2	16'	4"	.188"	SSA16-404DNH
18'	100	7.6	4.6	2.6	1.2	N/A	18'	4"	.125"	SSA18-404CNH
18'	150	13	8.8	5.9	3.8	2.3	18'	4"	.188"	SSA18-404DNH
18'	260	23.5	16.4	11.6	8.3	5.7	18'	5"	.188"	SSA18-505DNH
20'	150	10	6.3	3.7	1.9	N/A	20'	4"	.188"	SSA20-404DNH
20'	260	19.5	13.2	8.8	5.8	3.5	20'	5"	.188"	SSA20-505DNH

CAUTION: Raising or lowering of the pole requires adequate preparation. Do not underestimate the force required to raise or lower poles with heavy luminaires at the top.

* EPA calculations are based on a 1.3 Gust Factor. Variations from pole sizes listed above, available upon inquiry at the factory. Satisfactory performance of lighting poles is dependent upon the pole being properly attached to a supporting foundation of adequate design. NAFCO does not design or offer recommendations for foundations.

** Model number does not include mounting options or finish designation.

Dimensions and Specifications subject to change without notice.