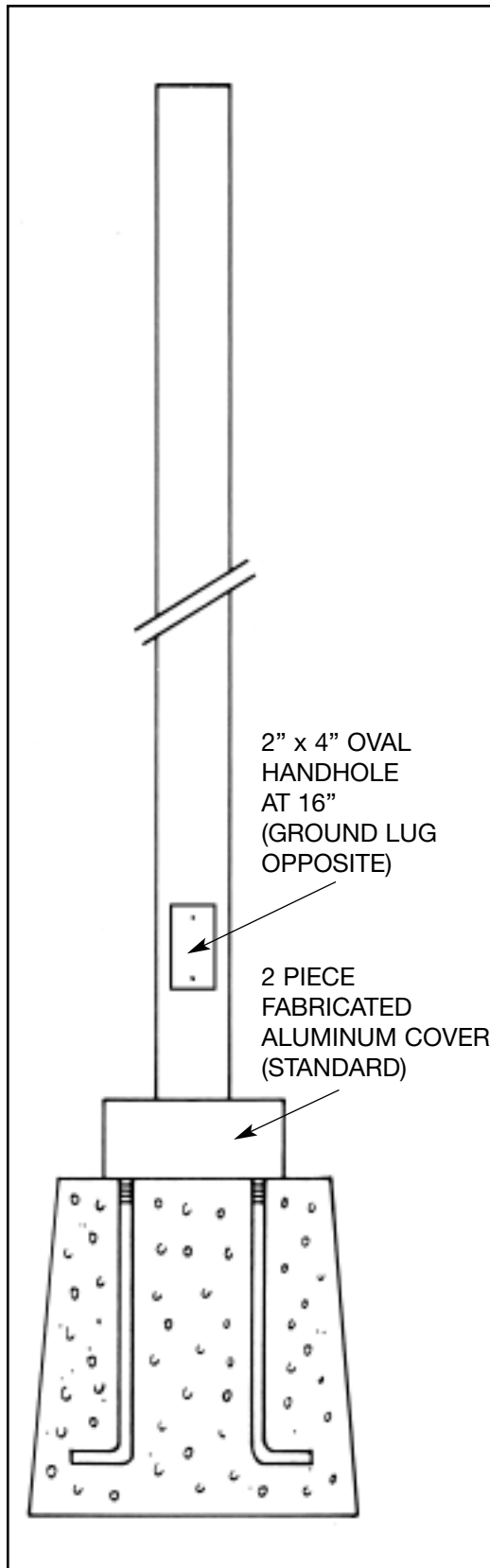


## 4 inch Square Aluminum Light Poles

**MATERIAL:**

Extrusions: 6063-T6

Castings: 356-T6

Hardware: 18-8 Stainless Steel

**WELDMENTS:**

Process: M.I.G.

All NAFCO welders are certified  
by the State of Wisconsin

**AVAILABLE FINISHES:**

Anodized; Bronze, Black or Satin

Painted

**OPTIONS:**

Tenons to your specifications

Removable cap when drilling for arms

Duplex outlets

Vibration Dampeners

Other options available  
by consulting NAFCO

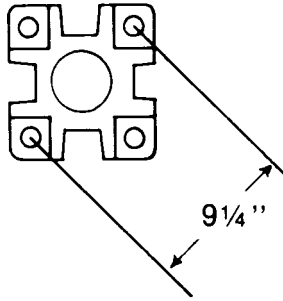
**NOTE:**

All NAFCO aluminum light poles are age  
hardened after welding to restore the  
structural integrity of the pole.

NAFCO POLE BASES ARE DESIGNED TO BE IN DIRECT CONTACT WITH THE  
CONCRETE FOUNDATIONS. SHOULD A LEVELING NUT BE USED, IT IS  
IMPERATIVE THAT THE SPACE BETWEEN THE BASE AND FOUNDATION BE  
COMPLETELY FILLED WITH GROUT TO PREVENT SEVERE STRUCTURAL  
DAMAGE TO THE POLE.

*Serving our customers and  
the industry with quality  
products since 1973.*

# 4 inch Square Aluminum Light Poles



**Base Cover: 5" x 8<sup>5/8</sup>" SQ.**  
**Bolt Circle: 9<sup>1/4</sup>"**  
**Bolt Projection: 2<sup>3/4</sup>"**  
**Bolt Finish: Hot-Dipped Galvanized**

POLE CATALOG NUMBER	MOUNTING HEIGHT	WALL THICKNESS	SHIPPING WEIGHT	ANCHOR BOLT SIZE	Max EPA AT: (Allows for 1.3 Gust Factor)				
					80 MPH	90 MPH	100 MPH	110 MPH	120 MPH
4S8C	8'	.125	25	5/8"X16"X2"	17.0	13.1	10.3	9.1	7.3
4S10C	10'	.125	30	5/8"X16"X2"	12.8	9.7	7.5	6.5	5.1
4S12C	12'	.125	34	5/8"X16"X2"	9.9	7.3	5.4	4.6	3.5
4S14C	14'	.125	39	5/8"X16"X2"	7.7	5.5	3.9	3.2	2.2
4S15C	15'	.125	42	5/8"X16"X2"	6.8	4.7	3.2	2.6	1.6
4S15D	15'	.188	57	3/4"X18"X2"	11.1	8.1	6.0	5.1	3.7
4S16C	16'	.125	44	5/8"X16"X2"	5.9	4.0	2.6	2.0	1.1
4S16D	16'	.188	60	3/4"X18"X2"	10.0	7.2	5.2	4.3	3.1
4S18C	18'	.125	48	3/4"X18"X2"	4.3	2.6	1.4	.8	-
4S18D	18'	.188	67	3/4"X18"X2"	7.8	5.4	3.6	2.9	1.8
4S20C	20'	.125	52	3/4"X18"X2"	2.8	1.4	-	-	-
4S20D	20'	.188	74	3/4"X18"X2"	5.9	3.8	2.3	1.6	.7
4S20E	20'	.250	98	3/4"X18"X2"	8.7	6.0	4.1	3.2	2.0

All LTL shipped NAFCO 4" poles are wrapped in single wall 200# test corrugate for protection in shipment.

Variations in mounting heights listed are available.

Dimensions and Specifications subject to change without notice.